



Tower

**Description :**

A new look and an efficient lighting for your walkways, car parks and green areas.  
LED bollards for way-marking and lighting parks and gardens. Specific height on demand

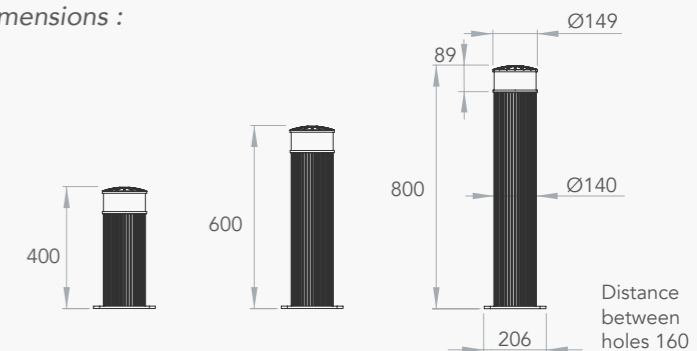
**Product informations :**

Material : die-cast aluminium, extruded aluminium.

**Finishes :** (on request)

Powder coating in RAL colours, smooth or fluted column, aluminium or steel, wood finish.

**Dimensions :**



	Angle	Flux	Wattage	Performance	Lifetime
3000°K	180°	750 Lm	5 W	150 Lm/W	50 000 hours L70B50
3000°K	360°	1350 Lm	9 W	150 Lm/W	50 000 hours L70B50
4000°K	180°	775 Lm	5 W	155 Lm/W	50 000 hours L70B50
4000°K	360°	1395 Lm	9W	155 Lm/W	50 000 hours L70B50

**Power supply :**

Electronic driver 220/240v -50\_60hz build in IP67.

**Versions and options :**

Sand basin.

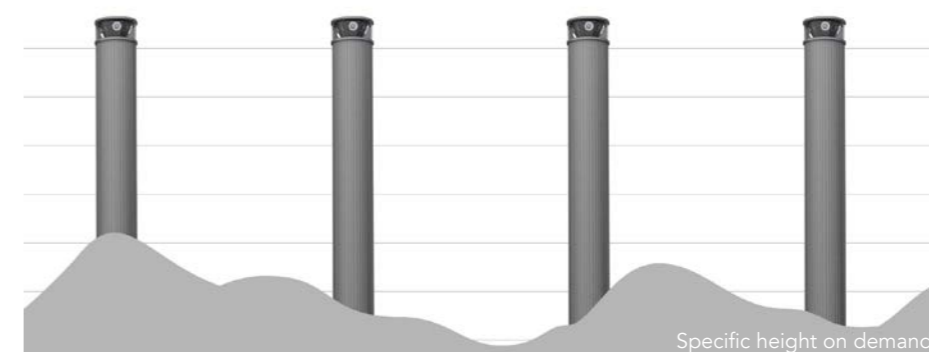
Available in three versions :

- Small version : 180° or 360° lighting
- Medium version : 180° or 360° lighting
- Large version : 180° or 360° lighting

PMMA basin: colorless, clear or frosted as an option. Removable LED module head in aluminum foundry.

**Mountings :**

Floor mounting with aluminum sole 206x206 mm, thickness 8mm, center distance 160x160 mm.  
Sole with center distance of 200x200 mm, on request.



*The market's most design LED bollard for way-marking with style.*

