

Boogie





Description :

Wall mounted LED luminaire.

Product informations :

Material : Aluminium and PMMA.
Junction temperature : 72°C
650Ma waterproof driver integrated in the mast.
Sealed connexion.

Driver :

1 /10v, DALI, ON/OFF

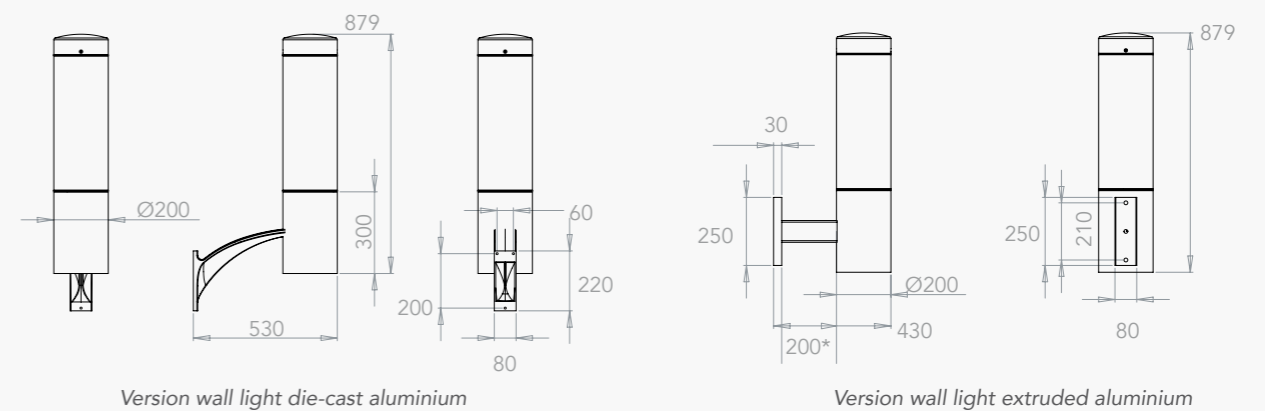
Finishes :

Powder coating in RAL colours (on request).

Versions and options :

Wall light extruded or die-cast aluminium.
Opal, clear or frosted diffuser.
3000°K in option

Dimensions :

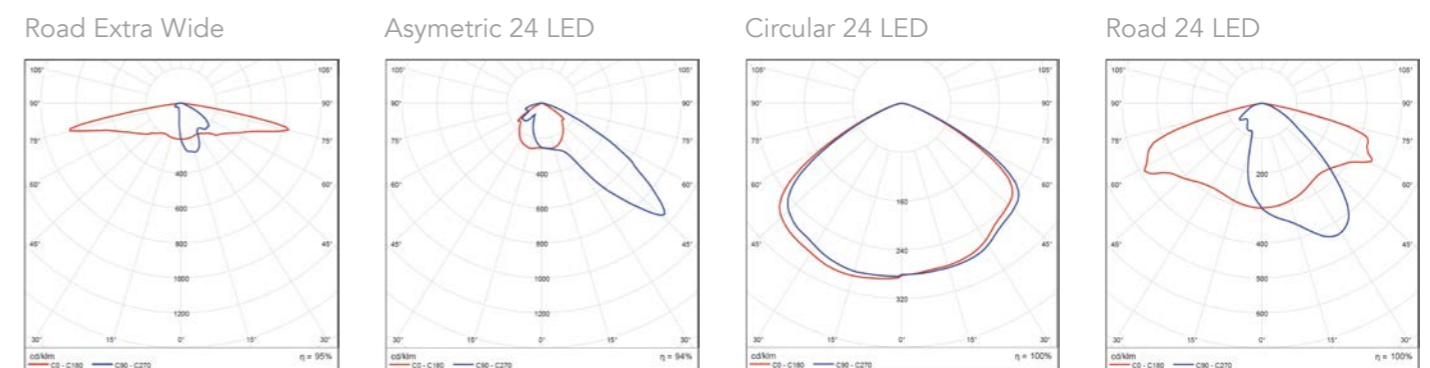


* Other possible dimensions

Wattage, luminous flux and performance :

LED optics	Flux	Wattage	Performance
Road 24 LED	7067 Lm	52 W	135 Lm/W 4000°K
Circular 24 LED	7067 Lm	52 W	135 Lm/W 4000°K
Road 24 LED	6195 Lm	52 W	119 Lm/W 3000°K
Circular 24 LED	6195 Lm	52 W	119 Lm/W 3000°K

Light distribution curves :





Wall mounted LED luminaire.