



Bolero

Description :

Square LED bollard for way-marking and lighting parks and gardens. Specific height on demand

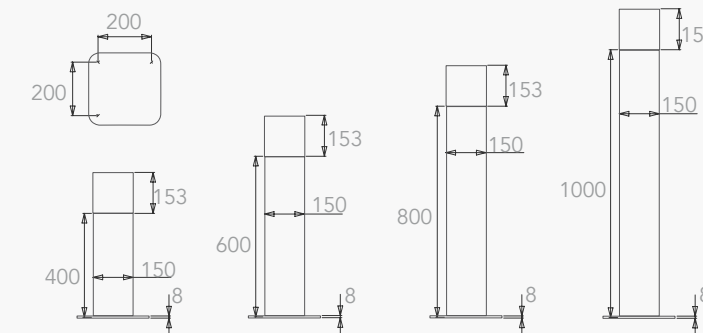
Product informations :

CRI>80 / Material : Aluminium and polypropylene

Finishes : (on request)

Powder coating in RAL colours. Wood finish.

Dimensions :



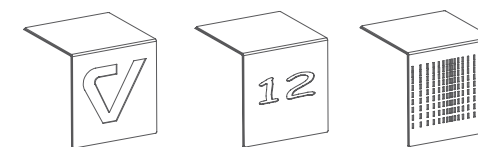
Wattage, luminous flux and performance :

LED optics	Flux	Wattage	Performance	
LED outgoing flux	1590 Lm	17 W	94 Lm/W	4000°K

Versions and options :

PMMA basin only frosted, opal.

Post-top protector / customisable embellishment (logos, numbers, patterns). Examples :



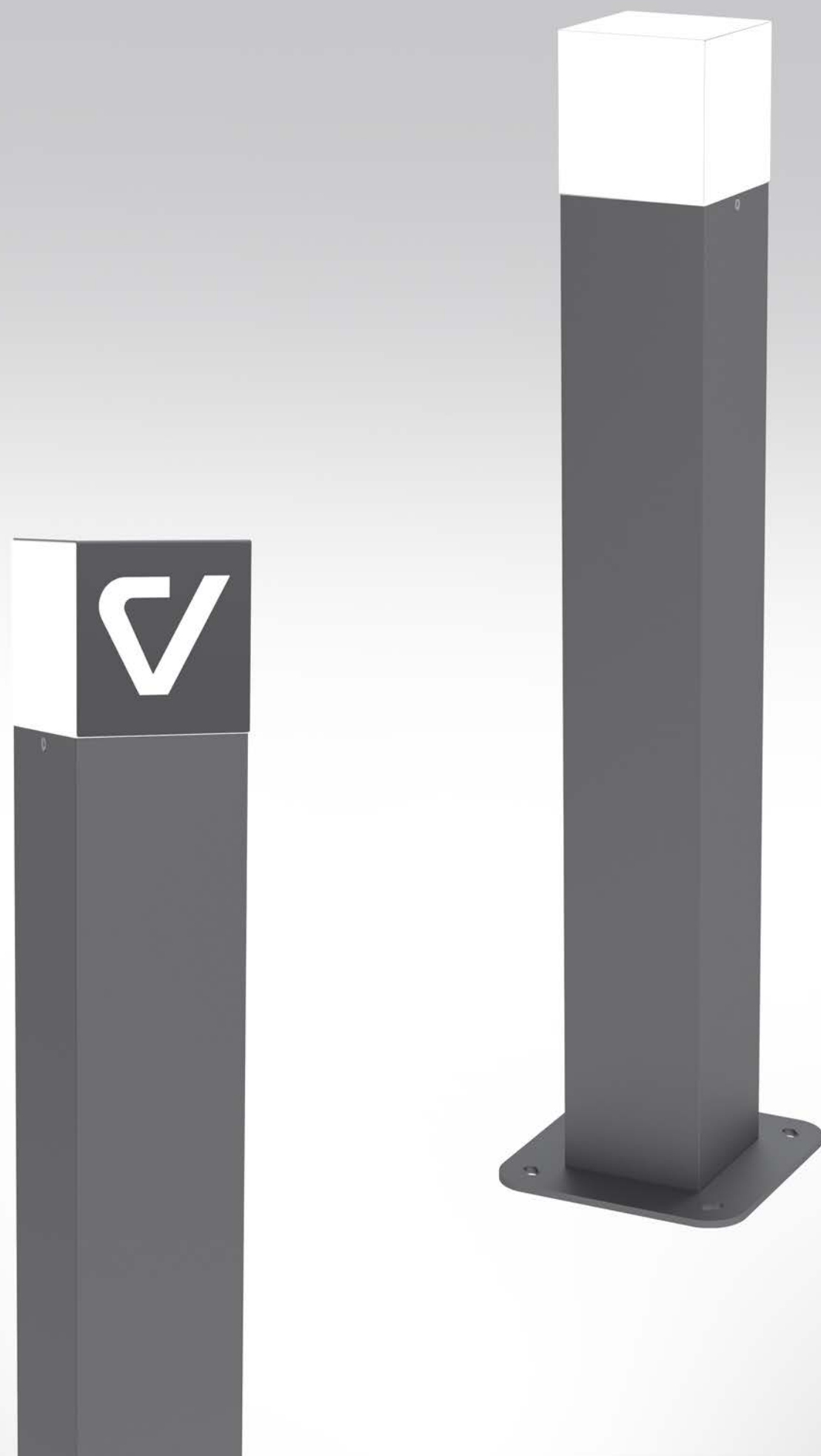
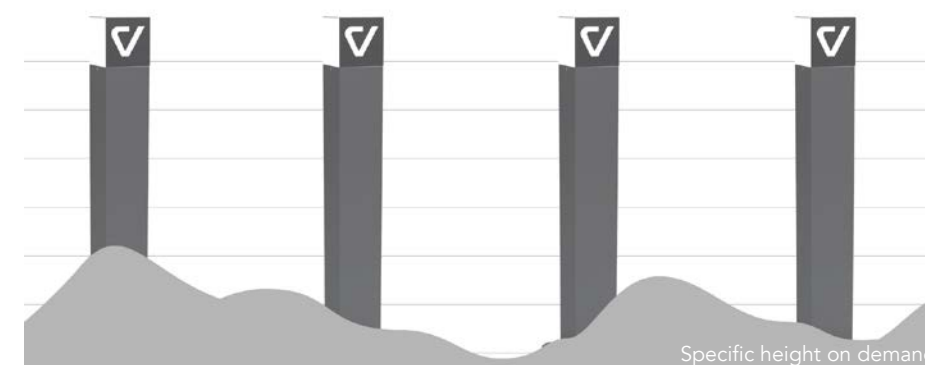
Power supply :

No driver required / Direct power supply 230V.

Mountings :

4 holes for anchor bolts Ø 13 mm.

Ground fixing, 200x200 mm center distance



Give a new image to your walkways, car-parks and green areas.

